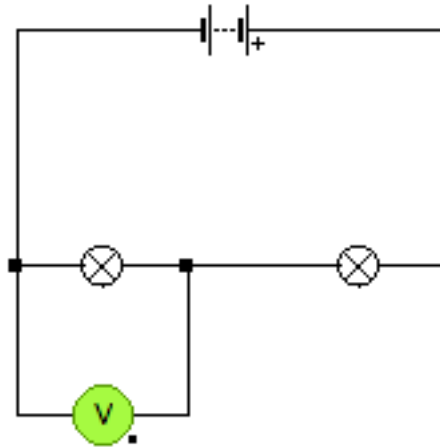
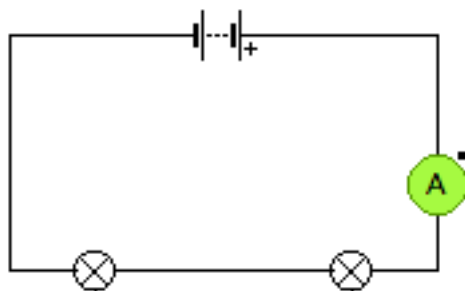
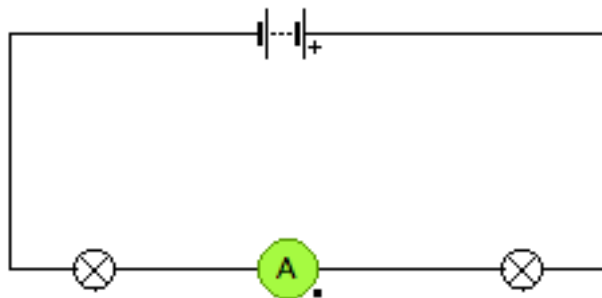
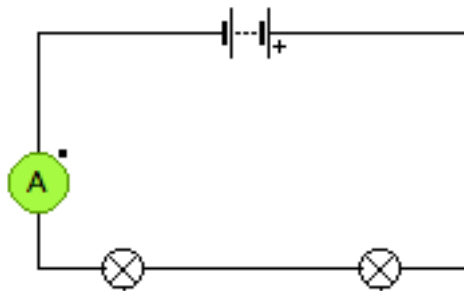


### Electricity Homework 3 Resistance

1.



2. The ammeter can be placed in series with the other components at any point in the circuit.



3. When the resistance in a circuit increase, the current decreases.
4. (a)  $3300\Omega$   
(b)  $390000\Omega$
5.  $0.007A$
6. (a) Thermistor  
(b) Light Dependent Resistor (LDR)
7. Variable resistors can be used in volume controls and dimmer switches.

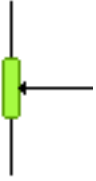

8.

<b>Quantity</b>	<b>Unit</b>
Resistance	Ohm
Energy	Joule
Power	Watt

9.

The energy change in a filament lamp occurs in	resistance wire
The energy transformation in a discharge lamp occurs in	gas.
There is an energy transformation when there is an	electric current in a wire.
In a lamp, electrical energy is transformed from heat to	light.
In a resistive circuit, electrical energy is transformed into	heat.

10.

	Potentiometer	Rheostat
Circuit symbol		
What it controls	A potentiometer controls the size of a voltage in a circuit.	A rheostat controls the size of the current in a circuit.